

HONDA
PRINT RM
APR. 04, 2007
ISSUED

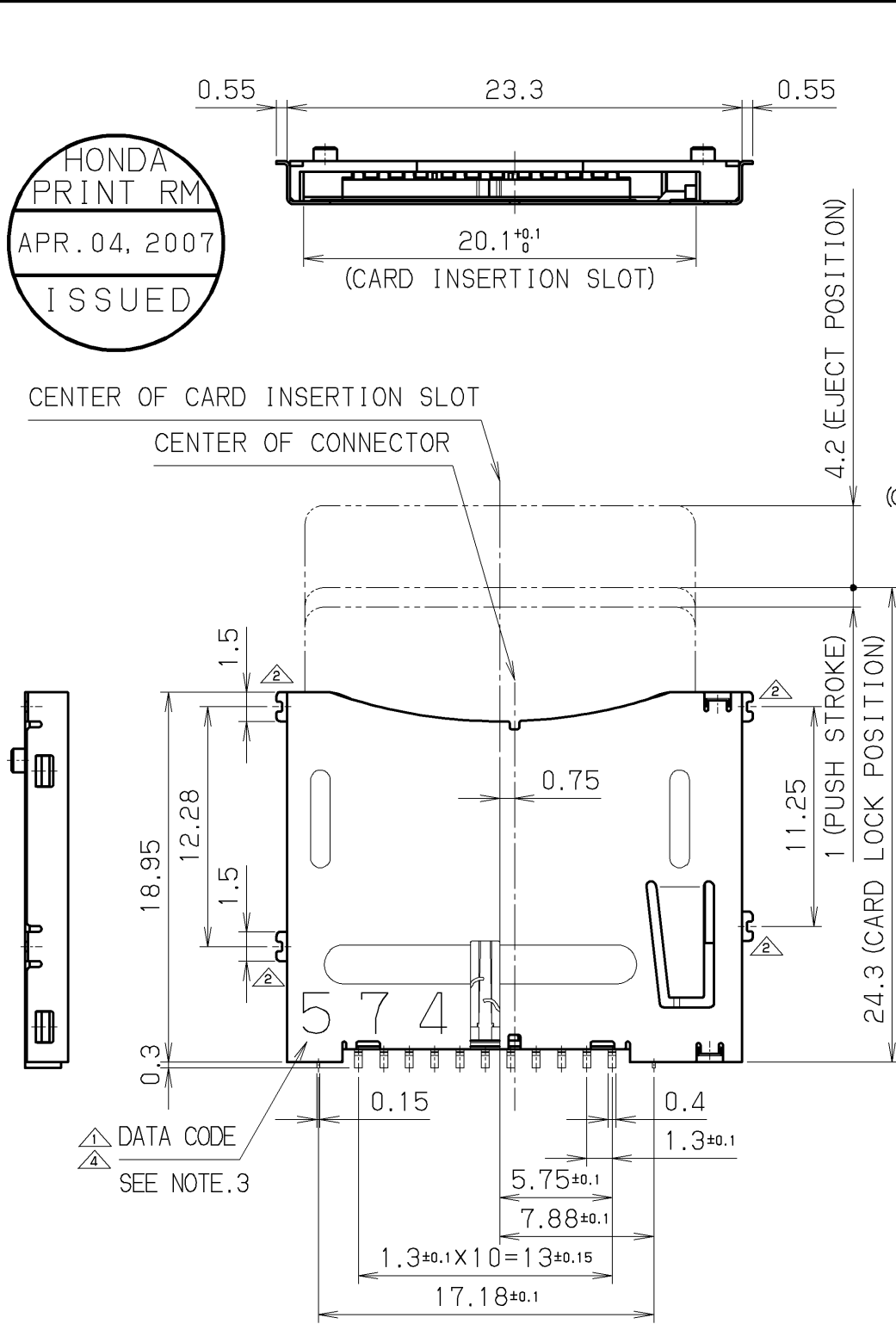
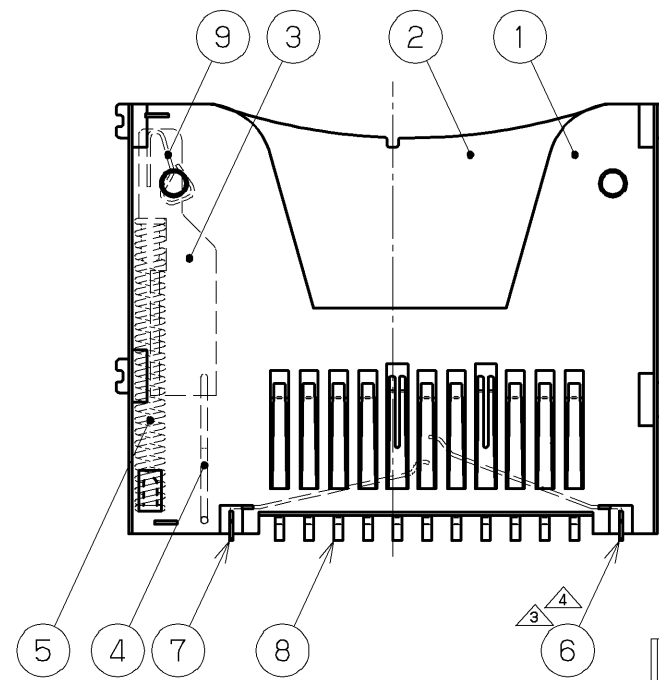


TABLE 1

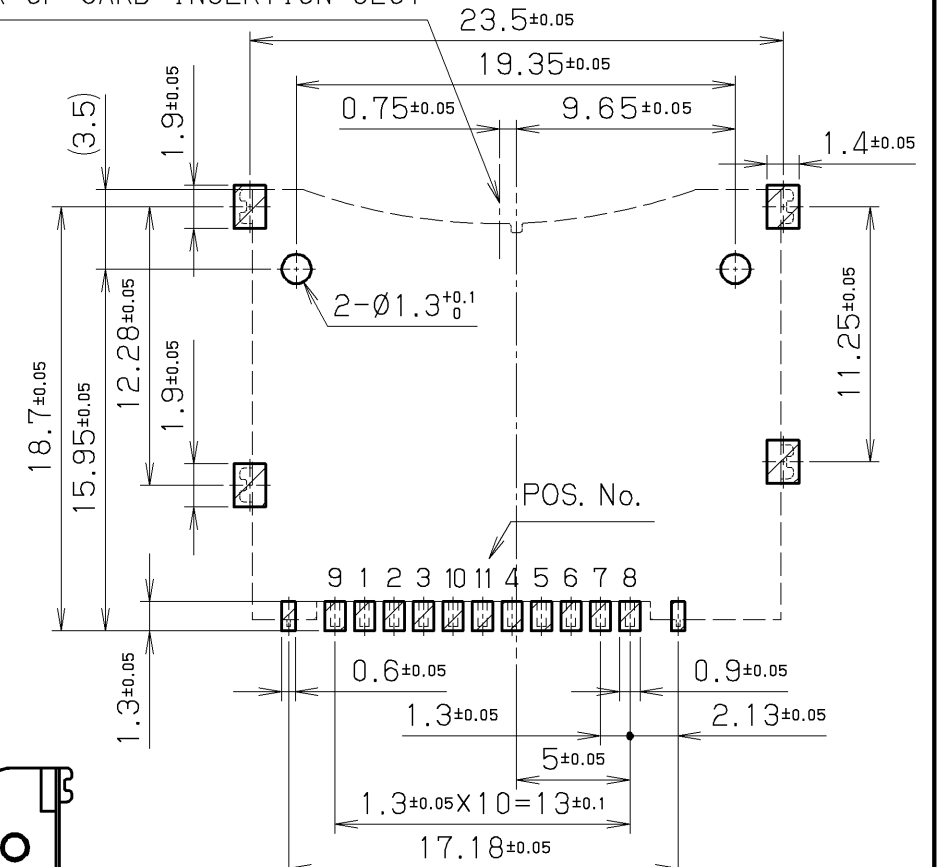
CARD WEARING STATE	CARD DETECT SWITCH
CARD INSERTED	: ON
WITHOUT CARD	: OFF

A: CARD DETECT SWITCH CONTACT A
B: CARD DETECT SWITCH CONTACT B

1.4±0.1 0.55
(CARD DIM.)



CENTER OF CARD INSERTION SLOT



RECOMMENDED P. C. B. LAYOUT

NOTE 1. THIS CONNECTOR MUST BE MOUNTED (REFLOWED) UNDER THE CONDITION OF CARD UNLOCKED STATEMENT SHOWN IN FIG.1.

2. COPLANARITY:0.1MAX.

3. MEANING OF DATE CODE

5: LAST DIGIT OF YEAR (2005)

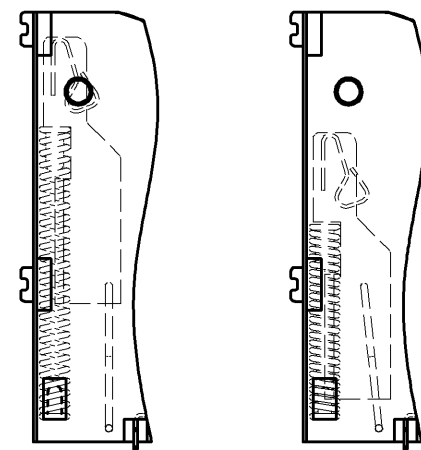
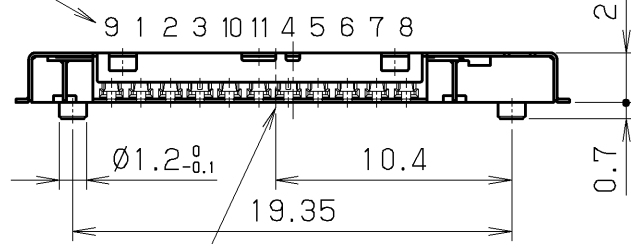
7: MONTH (1~9, X, Y, Z)

4: WEEK (1~5)

4. OBLIQUE INSERTION OF MINI-SD CARD WHEN NOT LOCKED TO THE LOCK TERMINAL IS DISAPPROVAL.

DATA CODE
SEE NOTE.3

POS. NO.



UNLOCK LOCK

FIG. 1 (CONNECTOR REVERSE SIDE)

No.	PART NAME	MATERIAL	QTY	FINISH	NOTE
9	LOCK TERMINAL	STAINLESS STEEL	1	—	—
8	SIGNAL CONTACT	PHOSPHOR BRONZE	11	Ni+Au	—
7	CARD DETECT SWITCH CONTACT B	PHOSPHOR BRONZE	1	Ni+Au	—
6	CARD DETECT SWITCH CONTACT A	PHOSPHOR BRONZE	1	Ni+Au	—
5	COILED SPRING	STAINLESS STEEL	1	—	—
4	PIN	STAINLESS STEEL	1	—	—
3	INSULATOR B	HEAT RESISTING RESIN	1	—	UL94V-0 IVORY
2	SHELL	NICKEL SILVER	1	—	—
1	INSULATOR A	HEAT RESISTING RESIN	1	—	UL94V-0 BLACK

LTR.	DATE	BY	REV.	DESCRIPT	No.	PART NAME	MATERIAL	QTY	FINISH	NOTE
5	MAR.30 2007	K.O		Added note 4.						
4	APR.18 2006	K.O		Changed C/D A form and material etc.						
3	APR.11 2006	D.K		Changed C/D A material						
2	FEB.17 2006	K.O		Changed shell form						
1	OCT.11 2005	K.O		Changed date code						

DATE	SCALE	UNIT	3RD. A. P	HONDA TSUSHIN KOGYO CO., LTD.			
JUL 29 (2005)	3/1	mm (INCH)		NAME	THE SLOT CONNECTOR FOR miniSD CARD (PUSH PUSH, STANDARD TYPE)	PART NO.	SDA-11LFYG+
DR.	DE.	CHK.	CHK.	APP.			REV.
K. OOKU	K. OOKU	S. OHSHIMA	K. HASUMI	K. KASHIO			5E

