

5.08mm (.200") Wire to Wire Connector

Unit: $\frac{\text{mm}}{\text{Inch}}$

Specifications

Current rating: 5A AC DC
 Voltage rating: 250V AC DC
 Temperature rating: -25°C~+105°C
 Contact resistance: 20mΩ max.
 Insulation resistance: 1000MΩ min.
 Withstanding voltage: 1500V AC/min.

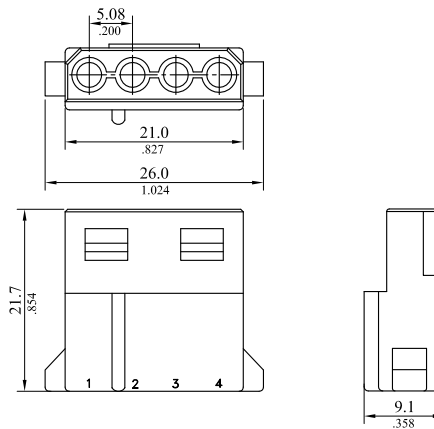
Standards

Recognized No. E82349

Certified No. LR65731

RoHS Compliant

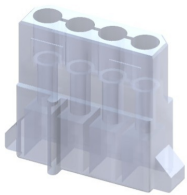
5200 Series 5.08mm (.200") Housing



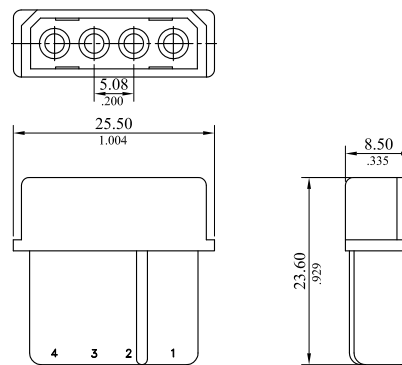
Features

5200F Receptacle:
 Nylon 6/6 UL94V-2
 4 circuits
 Mates with 5214 terminal

P/N 5200S04F000



5200 Series 5.08mm (.200") Housing



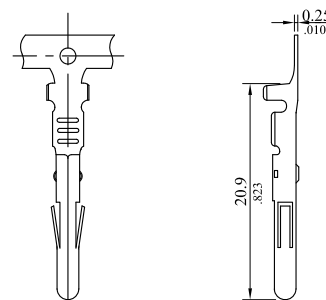
Features

5200M Plug:
 Nylon 6/6 UL94V-2
 4 circuits
 Mates with 5213 terminal

P/N 5200S04M000



5213T Crimping Terminal



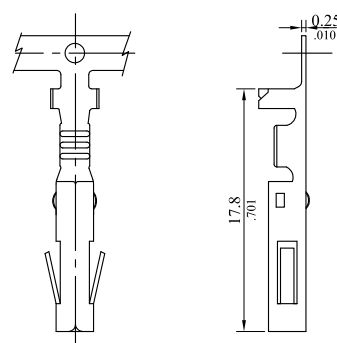
Features

5213 Terminal:
 Brass/ Tin plated
 Wire range: AWG 16~22

P/N 5213TCB0SH0

Package: 7K PCS/Reel

5214T Crimping Terminal



Features

5214 Terminal:
 Brass/ Tin plated
 Wire range: AWG 16~22

P/N 5214TCB0SH0

Package: 5K PCS/Reel