

4.00mm (.157") Wire to Board Connector

Unit: $\frac{\text{mm}}{\text{Inch}}$

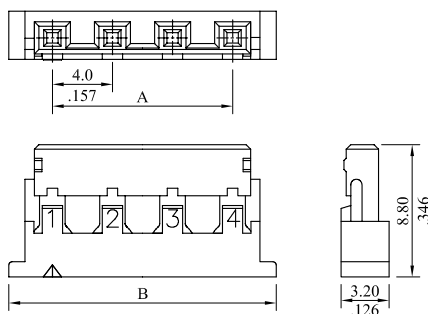
Specifications

Current rating: 1A AC DC
 Voltage rating: 600V AC DC
 Temperature rating: -25°C~+85°C
 Contact resistance: 20mΩ max.
 Insulation resistance: 1000MΩ min.
 Withstanding voltage: 1800V AC/min.

Standards

RoHS Compliant

4000 Series 4.00mm (.157") Receptacle Connector



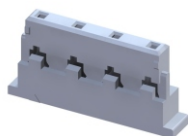
Features

4000F Housing:
 Available in 2~4 circuits
 Nylon 6/6 UL94V-0
 Use with 4004 terminal
 Mate with 4000 header

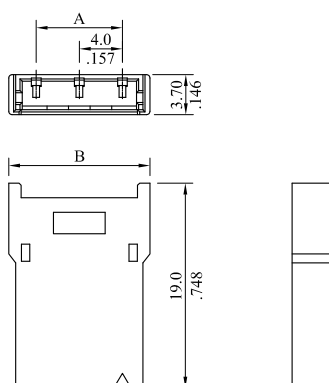
P/N **4000S ** F000**
I

1.No.of circuits

A=4.0mm(.157")x No.of spaces
 B=A+5.8mm(.228")



4000 Series 4.00mm (.157") Plug Connector



Features

4000M Housing:
 Available in 2~4 circuits
 Nylon 6/6 UL94V-0
 Use with 4003 terminal

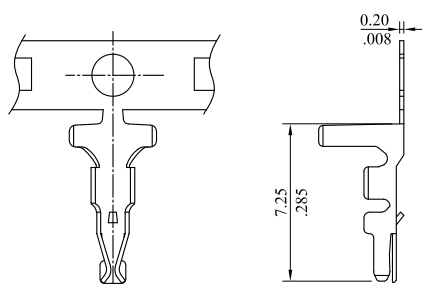
P/N **4000S ** M000**
I

1.No.of circuits

A=4.0mm(.157")x No.of spaces
 B=A+5.1mm(.200")



4004T Crimping Terminal



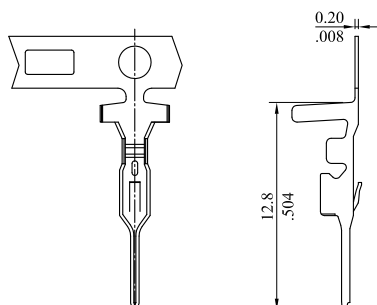
Features

4004 Terminal:
 Wire range: AWG 22~28
 Phosphor bronze/Tin plated

P/N **4004TPB0000**

Package:4K PCS/Reel

4003T Crimping Terminal



Features

4003 Terminal:
 Wire range: AWG 22~28
 Phosphor bronze/Tin plated

P/N **4003TPB0000**

Package:4K PCS/Reel

4.00mm (.157") Wire to Board Connector

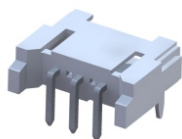
Unit: $\frac{\text{mm}}{\text{Inch}}$

Specifications

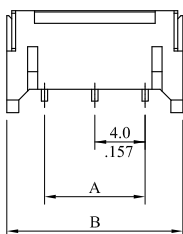
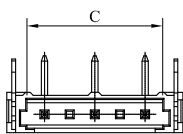
Current rating: 1A AC DC
 Voltage rating: 600V AC DC
 Temperature rating: -25°C~+85°C
 Contact resistance: 20mΩ max.
 Insulation resistance: 1000MΩ min.
 Withstanding voltage: 1800V AC/min.

Standards

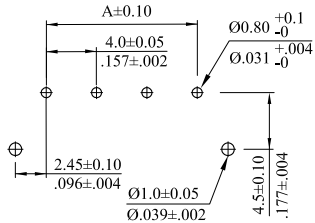
RoHS Compliant



4000 Series 4.00mm (.157") Right Angle Type Header



4000P03H000



Recommended PCB Layout

Features

4000 Header:
 Available in 2~4 circuits
 Nylon 6T UL94V-0
 0.5mm(.020") square pin
 Mates with Leoco 4000F socket

P/N 4000P ** F000
I

1.No.of circuits

A=4.0mm(.157")x No.of spaces
 B=A+6mm(.236")
 C=A+2.8mm(.110")