

2.50mm (.098") Wire to Wire Connector

Unit: $\frac{\text{mm}}{\text{Inch}}$

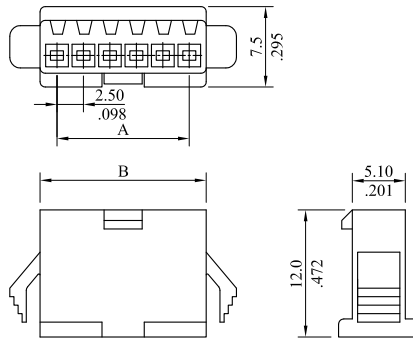
Specifications

Current rating: 3A AC DC
 Voltage rating: 250V AC DC
 Temperature rating: -25°C~+85°C
 Contact resistance: 20mΩ max.
 Insulation resistance: 1000MΩ min.
 Withstanding voltage: 1000V AC/min.

Standards

Recognized No. E82349
 RoHS Compliant

5700 Series 2.50mm (.098") Housing



Features

5700F Receptacle:
 Available in 2~12 circuits
 Nylon 6/6 UL94V-0
 Color:Black
 Mates with 5714 terminal

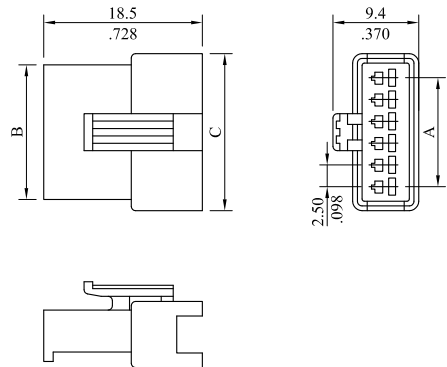
P/N 5700S ** F000

I
 1.No.of circuits

A=2.50mm (.098")x No.of spaces
 B=A+3.0mm (.118")



5700 Series 2.50mm (.098") Housing



Features

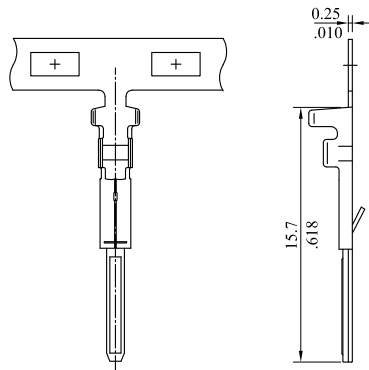
5700M Plug:
 Available in 2~12 circuits
 Nylon 6/6 UL94V-0
 Color:Black
 Mates with 5713 terminal

P/N 5700S ** M000

I
 1.No.of circuits

A=2.50mm (.098")x No.of spaces
 B=A+3.1mm (.122")
 C=A+5.6mm (.220")

5713T Crimping Terminal



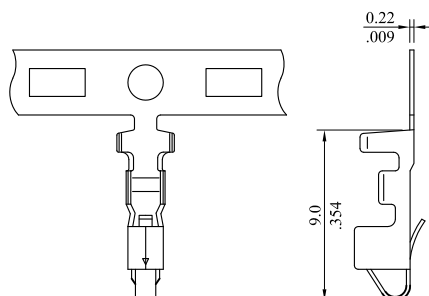
Features

5713 Terminal:
 Phosphor bronze/Tin plated
 Wire range:AWG 22~28

P/N 5713TPB0000

Package:8K PCS/Reel

5714T Crimping Terminal



Features

5714 Terminal:
 Phosphor bronze/Tin plated
 Wire range:AWG 22~28

P/N 5714TPB0000

Package:5K PCS/Reel