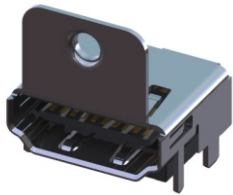
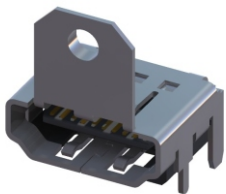


## Specifications

Current rating: 0.5A AC DC  
 Voltage rating: 30V AC DC  
 Temperature rating: -25°C~+85°C  
 Contact resistance: 20mΩ max.  
 Insulation resistance: 100MΩ min.  
 Withstanding voltage: 500V AC/min.

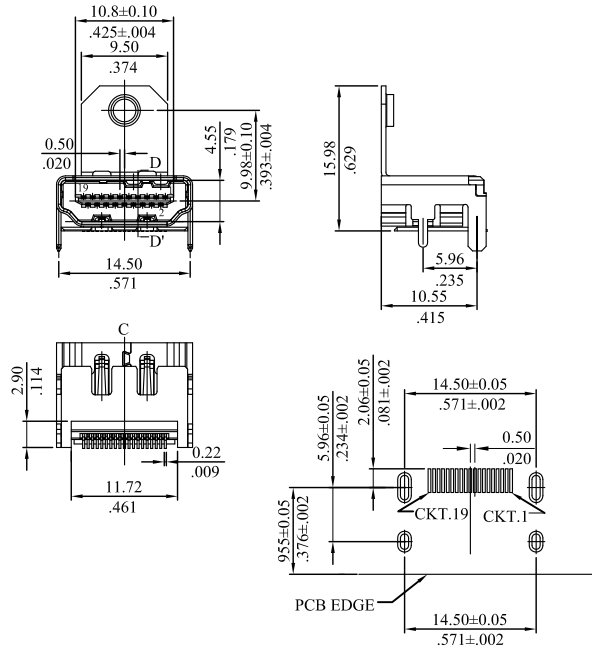
## Standards

RoHS Compliant



## 8500 Series HDMI SMT With Flange Type Receptacle

8500S19\*T11



Recommended PCB Layout

## Features

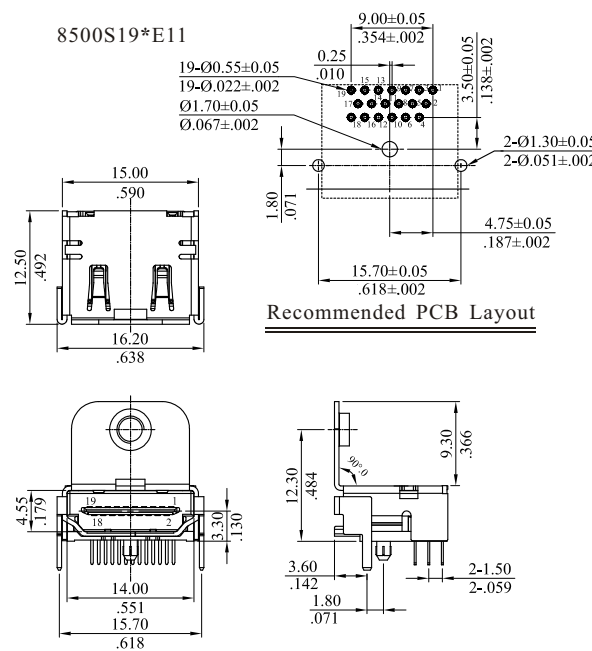
8500 Receptacle:  
 Insulator: LCP UL94V-0  
 Contact: Brass or phosphor bronze  
 Shell: Steel/Tin or nickel plated  
 Contact plating: Selective gold over nickel plated

P/N 8500S  $\frac{19}{1}$  \*  $\frac{T}{2}$   $\frac{1}{3}$

- No. of circuits
- Contacts plating  
 J=Selective 15u"min. gold  
 K=Selective 30u"min. gold
- Shell material  
 1=Shell material is copper alloy  
 F=Shell material is SPCC

## 8500 Series HDMI DIP With Flange Type Receptacle

8500S19\*E11



Recommended PCB Layout

## Features

8500 Receptacle:  
 Insulator: LCP UL94V-0  
 Contact: Brass or phosphor bronze  
 Shell: Steel/Tin or nickel plated  
 Contact plating: Selective gold over nickel plated

P/N 8500S  $\frac{19}{1}$  \*  $\frac{E}{2}$   $\frac{11}{3}$

- No. of circuits
- Contacts plating  
 J=Selective 15u"min. gold  
 K=Selective 30u"min. gold



# High-Definition Multimedia Interface Connector

Unit:  $\frac{\text{mm}}{\text{Inch}}$

## Specifications

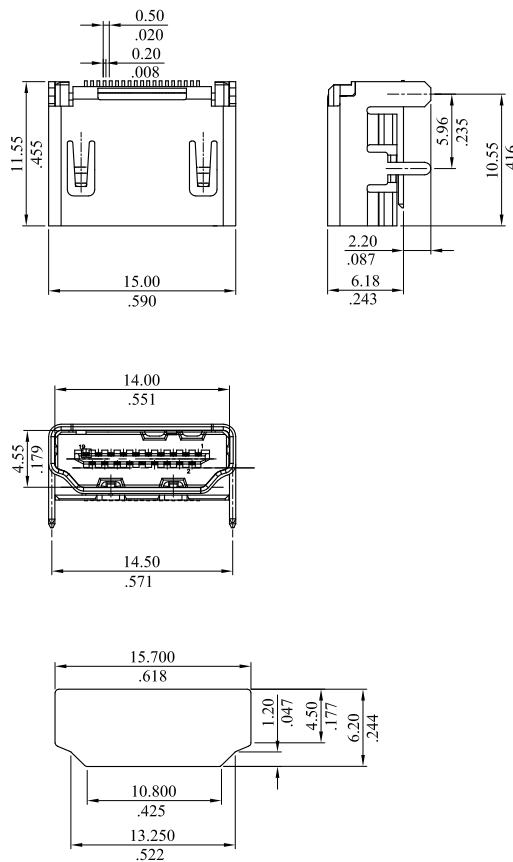
Current rating: 0.5A AC DC  
 Voltage rating: 30V AC DC  
 Temperature rating: -25°C~+85°C  
 Contact resistance: 20mΩ max.  
 Insulation resistance: 100MΩ min.  
 Withstanding voltage: 500V AC/min.

## Standards

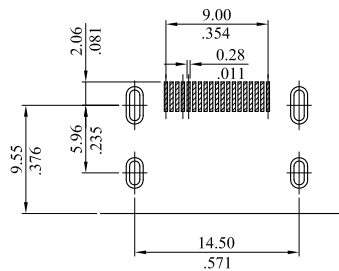
RoHS Compliant



## 8500 Series HDMI SMT Type Receptacle



## Recommended Panel Cut Out Dimension



## Recommended PCB Layout

## Features

8500 Receptacle:  
 Insulator: LCP UL94V-0  
 Contact: Brass or phosphor bronze  
 Shell: Steel/Tin or nickel plated  
 Contact plating: Selective gold over nickel plated

## P/N 8500S 19 E T10

- No. of circuits: 1 2
- Contacts plating:
  - E=Selective 5u"min. gold
  - J=Selective 15u"min. gold
  - K=Selective 30u"min. gold