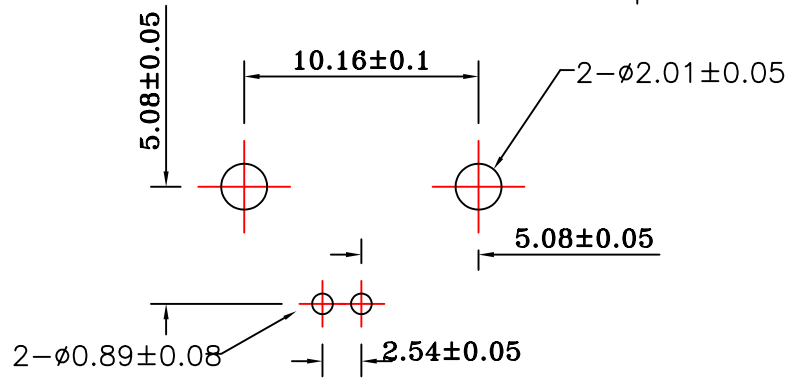
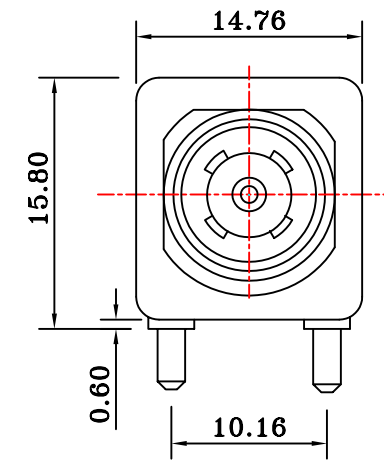
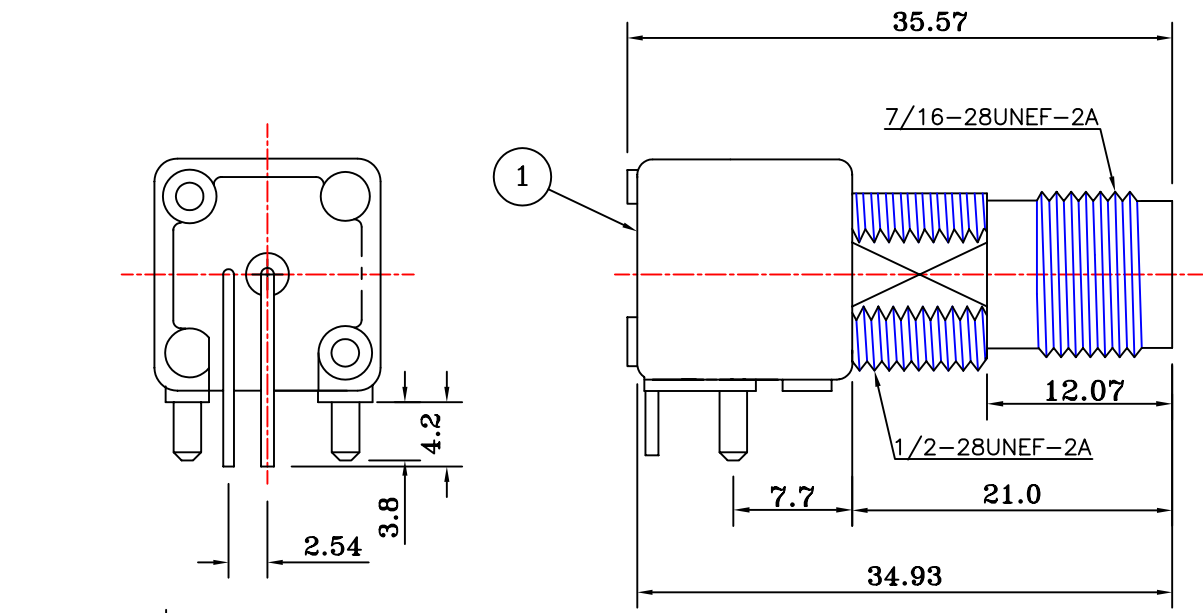
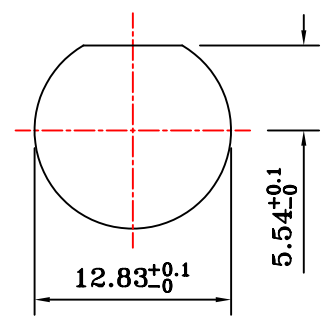


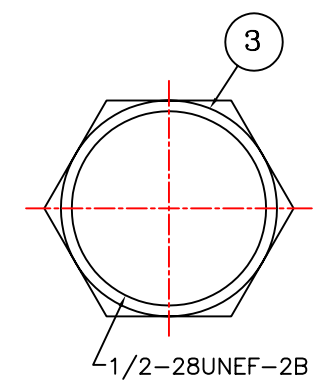
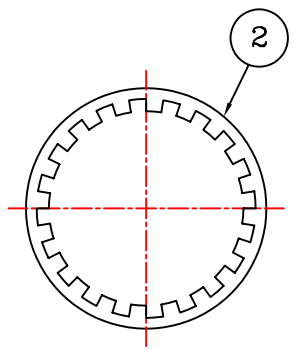
D.C.C.
2004/02/25
Control Copy



Recommended PCB Hole



Recommended panel Hole



NOTES:

- 1.NOMINAL IMPEDANCE 50 OHMS.
- 2.FREQUENCY RANGE:0-4 GHz.
- 3.MAX PEAK VOLTAGE: 500V.
- 4.INSULATION RESISTANCE: 5000 MEGOHMS MIN.
- 5.DIELECTRIC WITHSTANDING VOLTAGE:1500 VOLTS RMS.

ITEM	DESCRIPTION	MATERIAL	FINISHED	Q'TY
3	NUT	BRASS	NICKEL	1
2	LOCK WASHER	STEEL	NICKEL	1
1	SOLDER TAIL	BRASS	TIN LEAD	1
	POST	BRASS	TIN LEAD	
	INSULATOR	PE.-606	NONE	
	BODY	ZINC ALLOY	NICKEL	
	CONTACT	P.BRONZE	GOLD	

REV.	DESCRIPTION	ECN	DRAWN	DATE
B	SEE ECN (3107-0097)	04-065	Sammi	02-24'2004
A	NEW RELEASE (M911234)	02-536	Amour	12-24'2002
REVISIONS				

REMARKS:

TOLERANCES:
DIM. XX=±0.3
UNIT: mm XXX=±0.15

TITLE:
TNC R/A JACK PCB RECEPTACLE

DESIGNED: Amour
DRAWN: Amour
12-24'2002 12-24'2002

CHECKED: APPROVAL:

INPUT OUTPUT

SHEET: 1 OF 1
SCALE: 2=1
DWG NO.: 4106-E01A
REV. B
P/No.: 4106-E01A