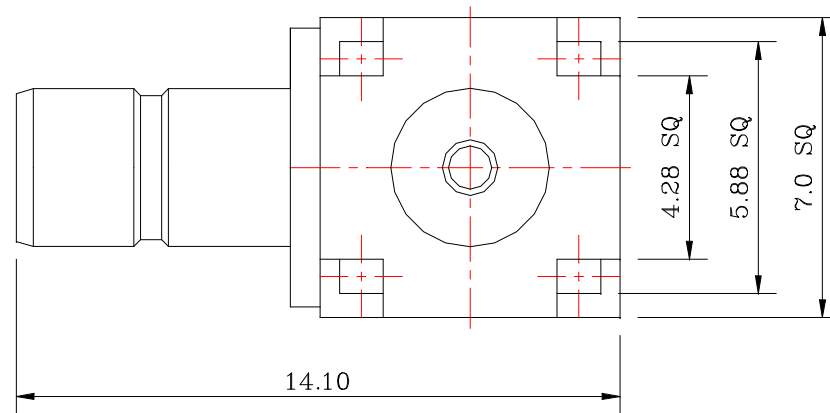


Recommended PCB Hole



ELECTRICAL PERFORMANCE:

1. Impedance : 75 ohms
2. Frequency Range : 0~4 GHz
3. Working Voltage : 335 Vrms maximum
4. Dielectric Withstanding Voltage : 1000 Vrms maximum
5. Insulator Resistance : 1000 Megohms minimum

BODY	BRASS	GOLD
INSULATOR	TEFLON	NONE
CONTACT	BRASS	GOLD 30U"
INSULATOR	TEFLON	NONE
BODY	BRASS	GOLD
DESCRIPTION	MATERIALS	FINISHED

REV.	DESCRIPTION	ECN	DRAWN	DATE
B	SEE ECN (M911152)	02-499	Amour	11-29'2002
A	NEW RELEASE	02-345	Amour	09-17'2002

REVISIONS

REMARKS:

TOLERANCES:
 DIM. X.X=±0.3
 UNIT: mm X.XX=±0.15

TITLE:
75 OHM SMB R/A JACK PCB RECEPTACLE

DESIGNED: Amour 09-17'2002
 DRAWN: Amour 09-17'2002
 SHEET: 1 OF 1
 SCALE: 6:1
 DWG NO.: S-B103
 LAYER: SALES
 APPROVAL:
 REV. B

INPUT OUTPUT
 INDUSTRIAL CO., LTD.
 P/No.: S-B103-900B