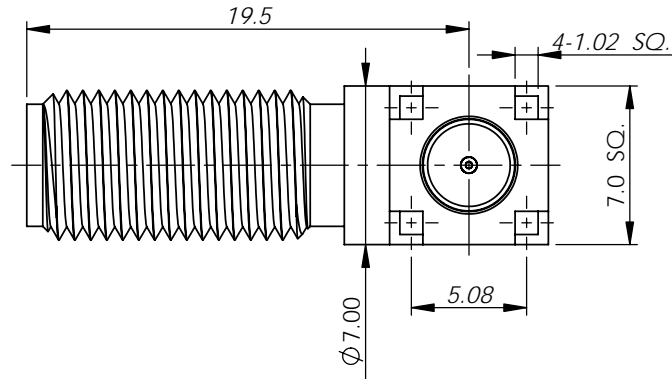
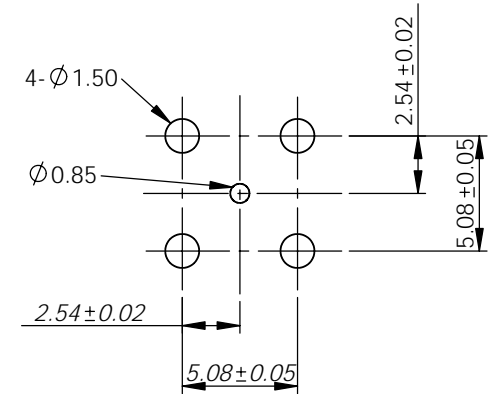
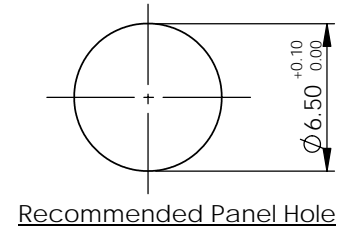
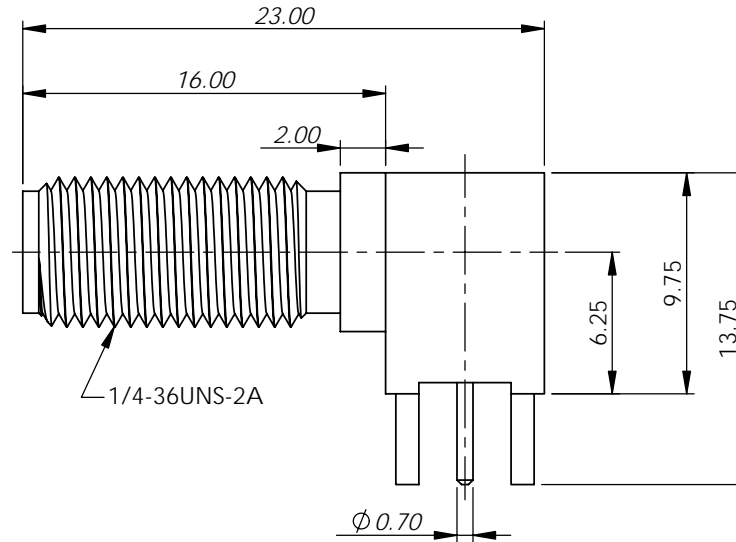
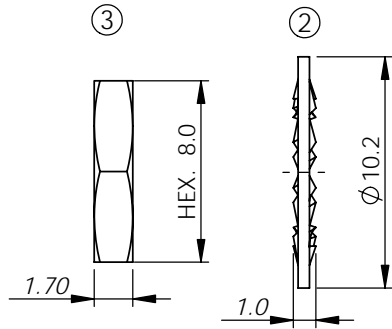


REV	DESCRIPTION	DRAWN	ECN	DATE
1	PROPOSAL RELEASE(3107-0697B)	Sammi		5-18'2005
2	CHANGE DIM. $\phi 6.6 \Rightarrow \phi 7.00$	Sammi		6-2'2005
3	CHANGE DIM. 21.35 $\Rightarrow \phi 16.00$	Sammi		6-2'2005
4	SAMPLE RELEASE(3102-0085)	ERIC	S05-044	7-4'2005
A	NEW RELEASE(3007-0035)	ERIC	05-265	8-19'2005



3	NUT	BRASS	GOLD
2	WASHER	STELL	GOLD
1	INSULATOR	TEFLON	NONE
	BODY	BRASS	NICKEL
	CONTACT	Be. COPPER	GOLD 15u"
	INSULATOR	TEFLON	NONE
	SQ. BODY	BRASS	GOLD
ITEM	DESCRIPTION	MATERIALS	FINISHED

ELECTRICAL PERFORMANCE:

1. Impedance : 75 ohms
2. Frequency Range : 0-3 GHz
3. Working Voltage : 335 Vrms maximum
4. Dielectric Withstanding Voltage : 1000 Vrms maximum
5. Insulator Resistance : 1000 Megohms minimum

UNLESS OTHERWISE SPECIFIED ALL TOLERANCES ARE :			
DIMENSION		ANGLE	
INTEGRAL DIMENSIONS	±1.0	ANGULAR DIMENSIONS	±5.0°
1 PLACE DECIMAL	±0.5	HOLES UNDER $\phi 0.5$	±0.1
2 PLACE DECIMALS	±0.25	ROUGHNESS	
	FINISH: SEE TABLE		MATERIAL: SEE TABLE



DRAWN BY:	Sammi	DATE:	5-18'2005
ENGR BY:	Sammi	DATE:	5-18'2005
APVD BY:		DATE:	

TITLE: 75 OHMS SMA R/A JACK PCB RECEPTACLE

Model NO: 40101

Drawing NO: 12-40101

UNIT:	MM	SIZE:	A4	REV:	A	CAD FILE:	Z:\NEW Dwg\40XXX\40101
SCALE:	3:1	SHEET:	1 OF 1				