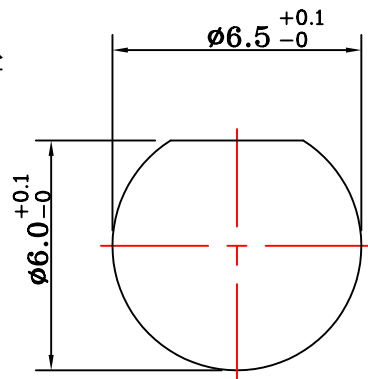
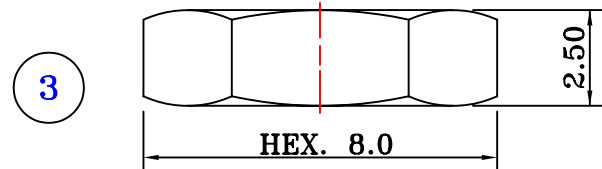
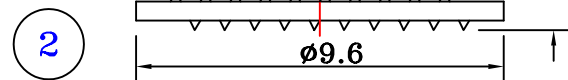


Remcommended
PCB Hole



RECOMMEDED PANEL HOLE

ORDER	FINISHED
A111-400A	GOLD
A111-401A	NICKEL



ELECTRICAL PERFORMANCE:

1. Impedance : 50 ohms
2. Frequency Range : 0~12.4 GHz
3. Working Voltage : 250 Vrms maximum
4. Dielectric Withstanding Voltage : 750 Vrms maximum
5. Insulator Resistance : 5000 Megohms minimum

ITEM	DESCRIPTION	MATERIALS	FINISHED
3	NUT	BRASS	GOLD/NICKEL
2	WASHER	SK-5	GOLD/NICKEL
1	INSULATOR	TEFLON	NONE
	BODY(2)	BRASS	GOLD/NICKEL
	CONTACT	BE. COPPER	GOLD
	INSULATOR	TEFLON	NONE
	BODY(1)	BRASS	GOLD/NICKEL

REV.	DESCRIPTION	ECN	DRAWN	DATE
C	A111-400A==>A111-40*A (M911216)	02-522	Amour	12-12'2002
B	SEE ECN	02-006	LUKE	02/25/2002
A	NEW RELEASE	00-343	ANGELA	10/17'2000
1	SAMPLE RELEASE	S-99150	ANGELA	01/18'2000

REVISIONS

REMARKS:

TOLERANCES:
DIM. XX=±0.3
UNIT: mm XXX=±0.15

TITLE: SMA R/A JACK PCB RECEPTACLE

DESIGNED: ANGELA
01/18'2000

DRAWN: ANGELA
01/18'2000

CHECKED: APPROVAL:

SHEET: 1 OF 1
SCALE: 5:1

DWG NO.: A111-40*A

LAYER: SALE
REV. C

INPUT OUTPUT
INDUSTRIAL CO., LTD.

P/No.: S-A111-40*A