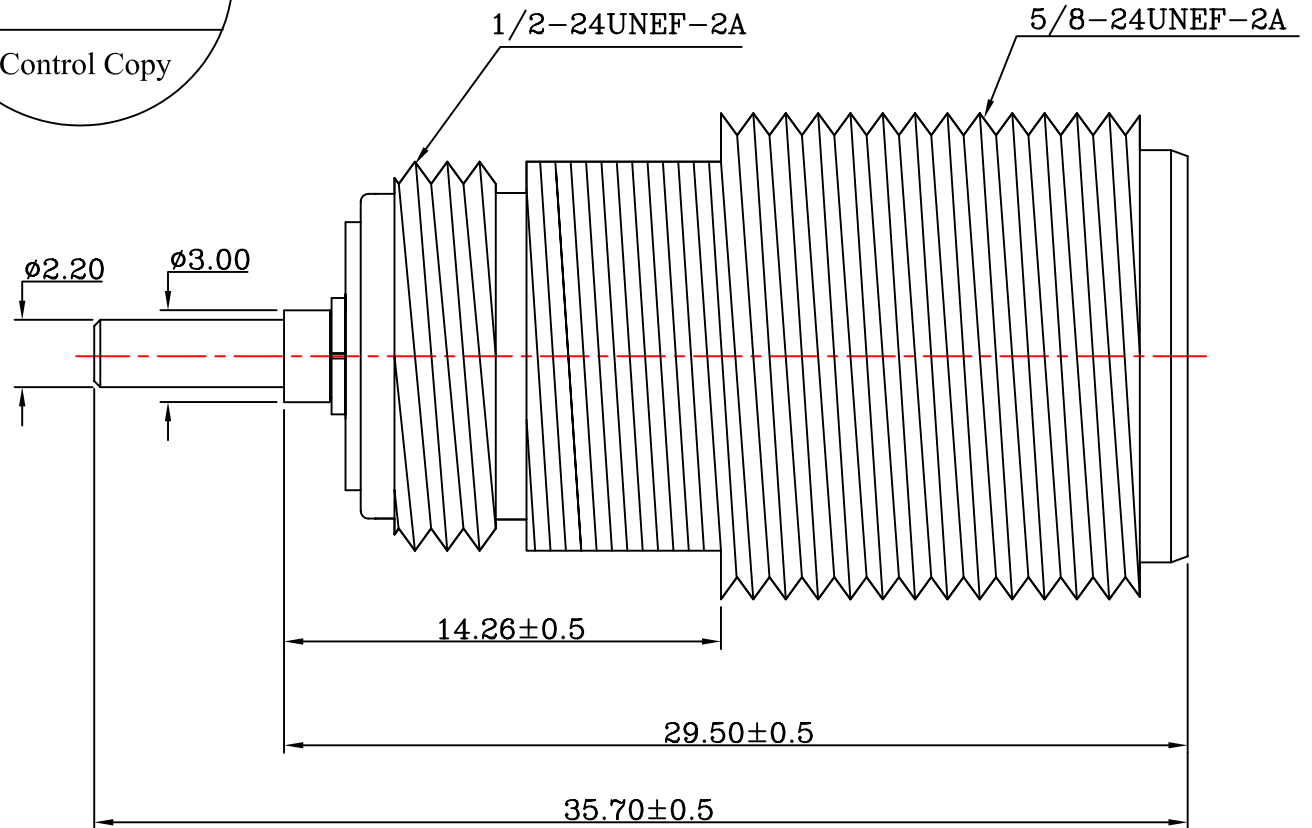
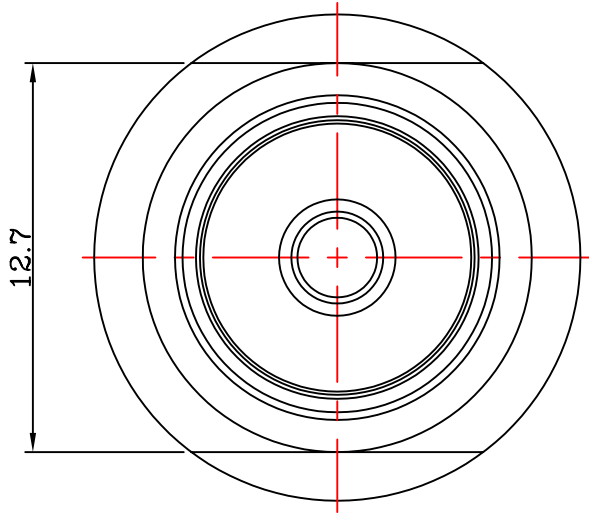


D.C.C.
2002/05/23
Control Copy



NOTES:

1. NOMINAL IMPEDANCE: 50 OHMS.
2. FREQUENCY RANGE: 0~11 GHz
3. VOLTAGE RATING: 1000 VOLTS RMS.
4. DIELECTRIC WITHSTANDING VOLTAGE: 2500 VOLTS RMS.
5. INSULATION RESISTANCE: 5000 MEGOHMS.

"C"RING	BE. COPPER		1
CONTACT	P. BRONZE	SILVER	1
INSULATOR	TEFLON	NONE	1
BODY	BRASS	SILVER	1
DESCRIPTION	MATERIAL	FINISHED	Q'TY

REV.	DESCRIPTION	ECN	DRAWN	DATE
C	6302-003A==>6302-013A(R910503)	02-139	Amour	5-22'2002
B	SEE ECN (R910402)	02-103	LUKE	4.26'2002
A	New RELEASE	01-351	TINA	11-27'2001

REVISIONS

REMARKS:		TITLE: N ST. JACK BULKHEAD RECEPTACLE	
DESIGNED: TINA 11-27'2001	DRAWN: TINA 11-27'2001	SHEET: 1 OF 1	SCALE: 4:1
CHECKED:	APPROVAL:	DWG NO.: 6302-003A	
TOLERANCES: DIM. XX=±0.3 UNIT: mm X.XX=±0.15		LAYER:	REV. C

INPUT OUTPUT

P/No.: S-6302-013A