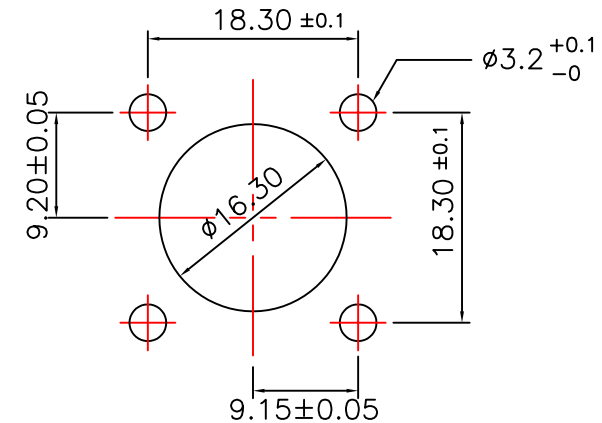
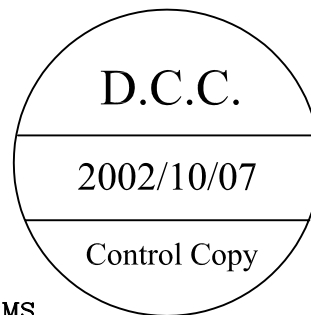


DESCRIPTION	MATERIALS	FINISHED
CONTACT	P.BRONZE	GOLD FLASH
INSULATOR	TEFLON	NONE
BODY (2)	BRASS	NICKEL
BODY (1)	BRASS	NICKEL

NOTES:

- 1.NOMINAL IMPEDANCE 50 OHMS.
- 2.FREQUENCY RANGE: 0-4 GHz.
- 3.MAX PEAK VOLTAGE: 500V.
- 4.INSULATION RESISTANCE: 5000 MEGOHMS MIN.
- 5.DIELECTRIC WITHSTANDING VOLTAGE:1500 VOLTS RMS.



REV.	DESCRIPTION	ECN	DRAWN	DATE
C	6501-000A==>6501-W00A (M911006)	02-376	Amour	10-3'2002
B	SEE ECN	99-413	TINA	12-10'99

REVISIONS

REMARKS:
TOLERANCES: DIM. XX=±0.3 UNIT: mm XXX=±0.15

TITLE: N STRAIGHT JACK FLANGE MOUNT			
DESIGNED:	DRAWN: 吳智銘	SHEET: 1 OF 1	SCALE: 2.5:1
CHECKED:	APPROVAL:	DWG NO.: 6501	LAYER: SALE
		REV. C	P/No.: S-6501-W00A