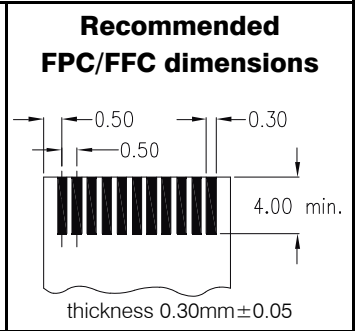
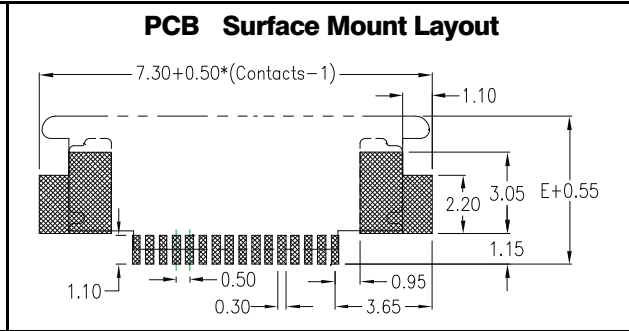
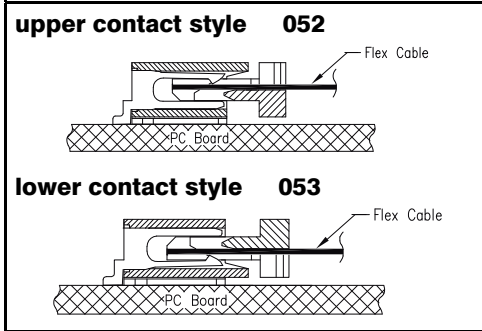
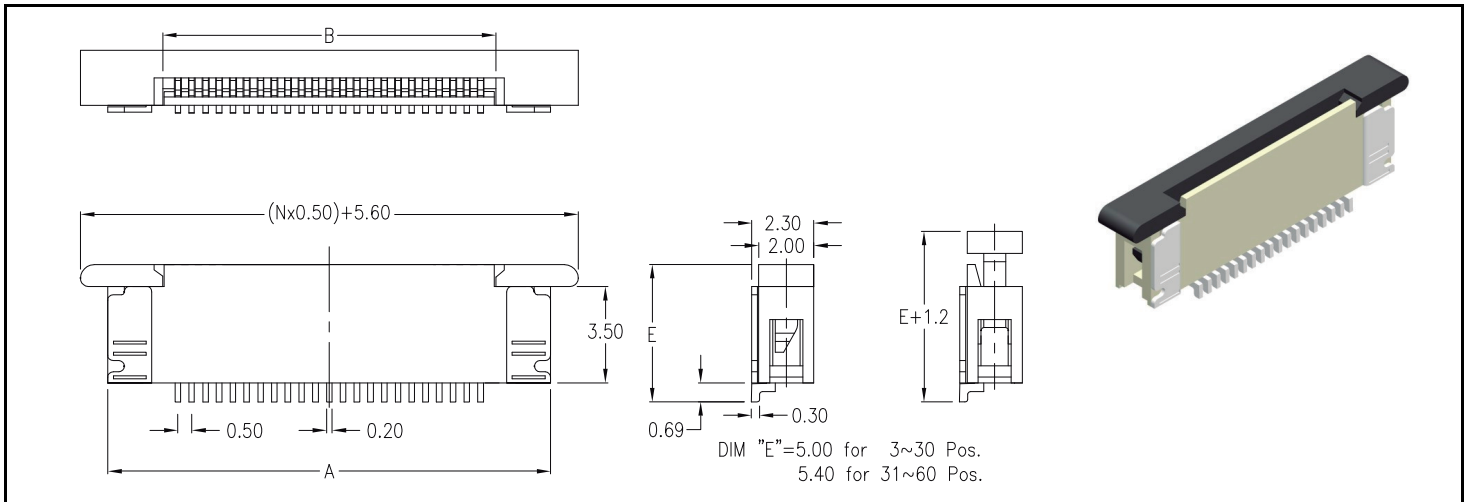


# FPC/FFC Connector ZIF Type

- SMT - 0.50mm pitch horizontal



SPECIFICATIONS			
Current rating	0.4 A max.	Operating temperature	-20°C to +85°C
Insulator resistance	50 MΩ min.	Processing temperature	+250°C +0/-5°C for 3sec.
Contact resistance	30 mΩ max.	Contact material	Phosphor Bronze (RoHS compliant)
Withstanding voltage	250 V AC/1 Min.	Contact plating	Tin (leadfree)
		Insulator material	LCP (RoHS compliant) UL 94 V-0
		Actuator material	PPA (RoHS compliant) UL 94 V-0

Dimensions (mm)											
Contacts	DIM "A"	DIM "B"	Contacts	DIM "A"	DIM "B"	Contacts	DIM "A"	DIM "B"	Contacts	DIM "A"	DIM "B"
003	6.10	2.10	018	13.60	9.60	033	21.10	17.10	048	28.60	24.60
004	6.60	2.60	019	14.10	10.10	034	21.60	17.60	049	29.10	25.10
005	7.10	3.10	020	14.60	10.60	035	22.10	18.10	050	29.60	25.60
006	7.60	3.60	021	15.10	11.10	036	22.60	18.60	051	30.10	26.10
007	8.10	4.10	022	15.60	11.60	037	23.10	19.10	052	30.60	26.60
008	8.60	4.60	023	16.10	12.10	038	23.60	19.60	053	31.10	27.10
009	9.10	5.10	024	16.60	12.60	039	24.10	20.10	054	31.60	27.60
010	9.60	5.60	025	17.10	13.10	040	24.60	20.60	055	32.10	28.10
011	10.10	6.10	026	17.60	13.60	041	25.10	21.10	056	32.60	28.60
012	10.60	6.60	027	18.10	14.10	042	25.60	21.60	057	33.10	29.10
013	11.10	7.10	028	18.60	14.60	043	26.10	22.10	058	33.60	29.60
014	11.60	7.60	029	19.10	15.10	044	26.60	22.60	059	34.10	30.10
015	12.10	8.10	030	19.60	15.60	045	27.10	23.10	060	34.60	30.60
016	12.60	8.60	031	20.10	16.10	046	27.60	23.60			
017	13.10	9.10	032	20.60	16.60	047	28.10	24.10			

How to order

FCZ - xxx - H xxx - 99 / X

