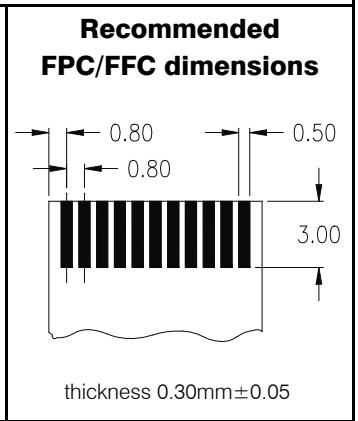
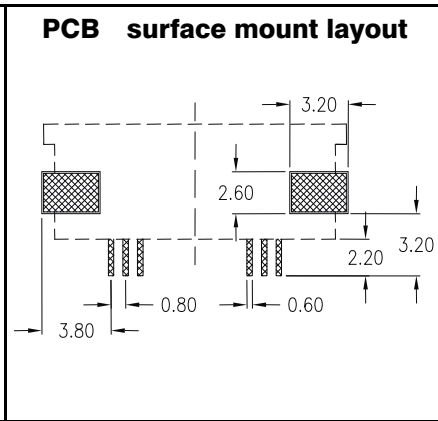
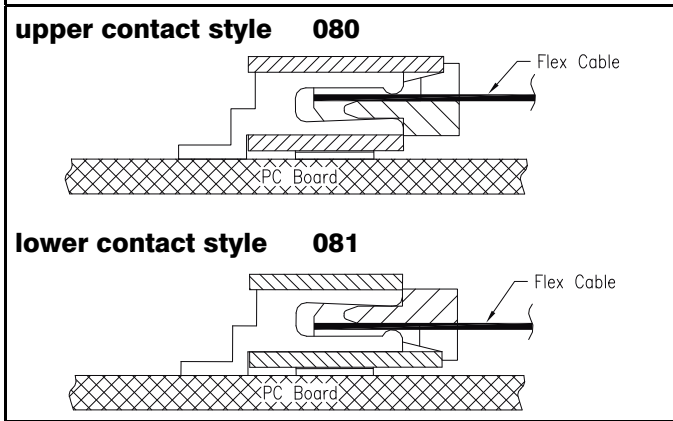
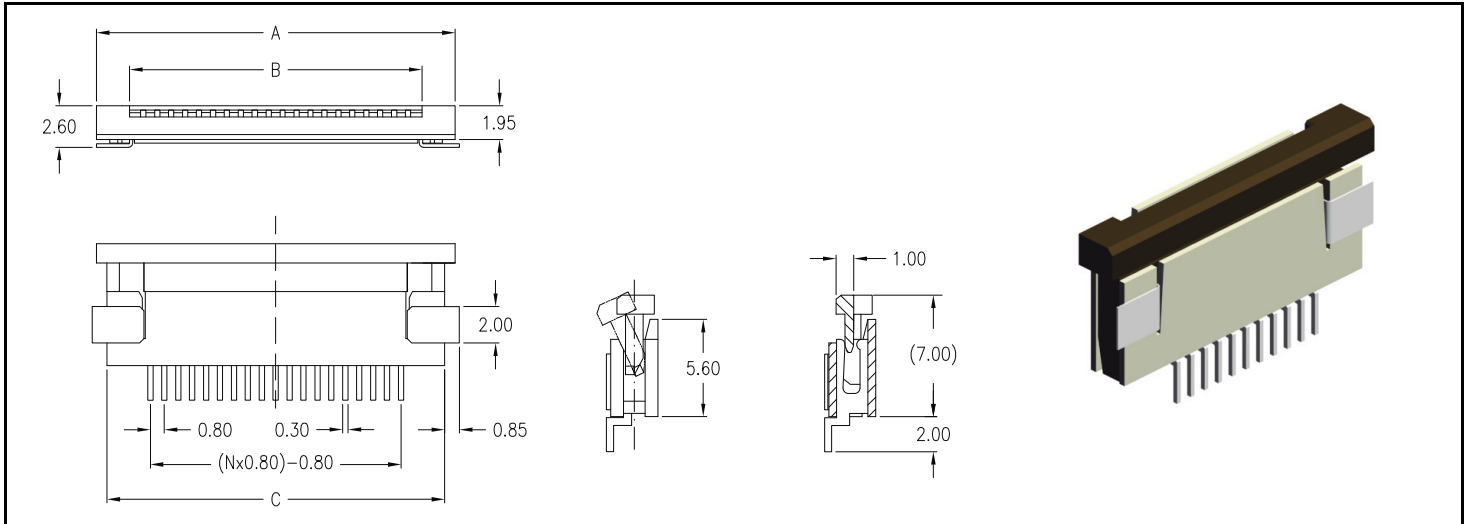


# FPC/FFC Connector ZIF Type

- SMT - 0.80mm pitch horizontal



SPECIFICATIONS			
Current rating	0.5 A max.	Operating temperature	- 20°C to +105°C
Insulator resistance	100 MΩ min.	Processing temperature	+250°C +0/-5°C for 3 sec.
Contact resistance	20 mΩ max.	Contact material	Phosphor Bronze (RoHS compliant)
Withstanding voltage	500 V AC/1 Min.	Contact plating	Tin (leadfree)
		Insulator material	LCP UL 94 V-0 (RoHS compliant)
		Actuator material	PPA UL 94 V-0 (RoHS compliant)

Dimensions (mm)															
Contacts	DIM"A"	DIM"B"	DIM"C"	Contacts	DIM"A"	DIM"B"	DIM"C"	Contacts	DIM"A"	DIM"B"	DIM"C"	Contacts	DIM"A"	DIM"B"	DIM"C"
004	9.50	4.25	8.20	011	15.10	9.85	13.80	018	20.70	15.45	19.40	025	26.30	21.05	25.00
005	10.30	5.05	9.00	012	15.90	10.65	14.60	019	21.50	16.25	20.20	026	27.10	21.85	25.80
006	11.10	5.85	9.80	013	16.70	11.45	15.40	020	22.30	17.05	21.00	027	27.90	22.65	26.60
007	11.90	6.65	10.60	014	17.50	12.25	16.20	021	23.10	17.85	21.80	028	28.70	23.45	27.40
008	12.70	7.45	11.40	015	18.30	13.05	17.00	022	23.90	18.65	22.60	029	29.50	24.25	28.20
009	13.50	8.25	12.20	016	19.10	13.85	17.80	023	24.70	19.45	23.40	030	30.30	25.05	29.00
010	14.30	9.05	13.00	017	19.90	14.65	18.60	024	25.50	20.25	24.20				

## How to order

FCZ - xxx - H xxx - 99

