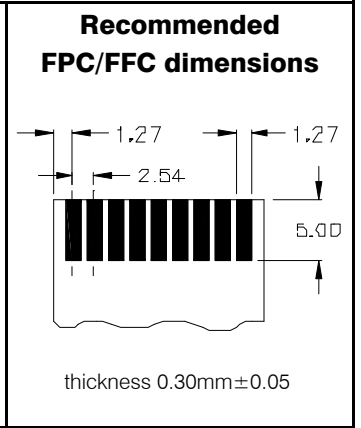
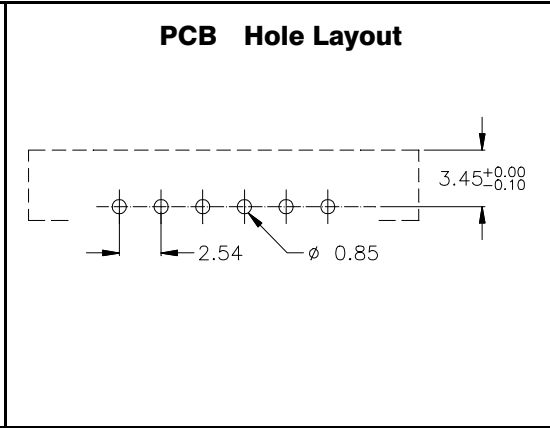
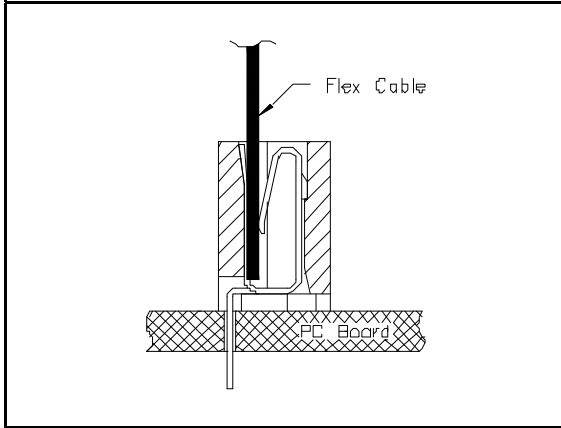
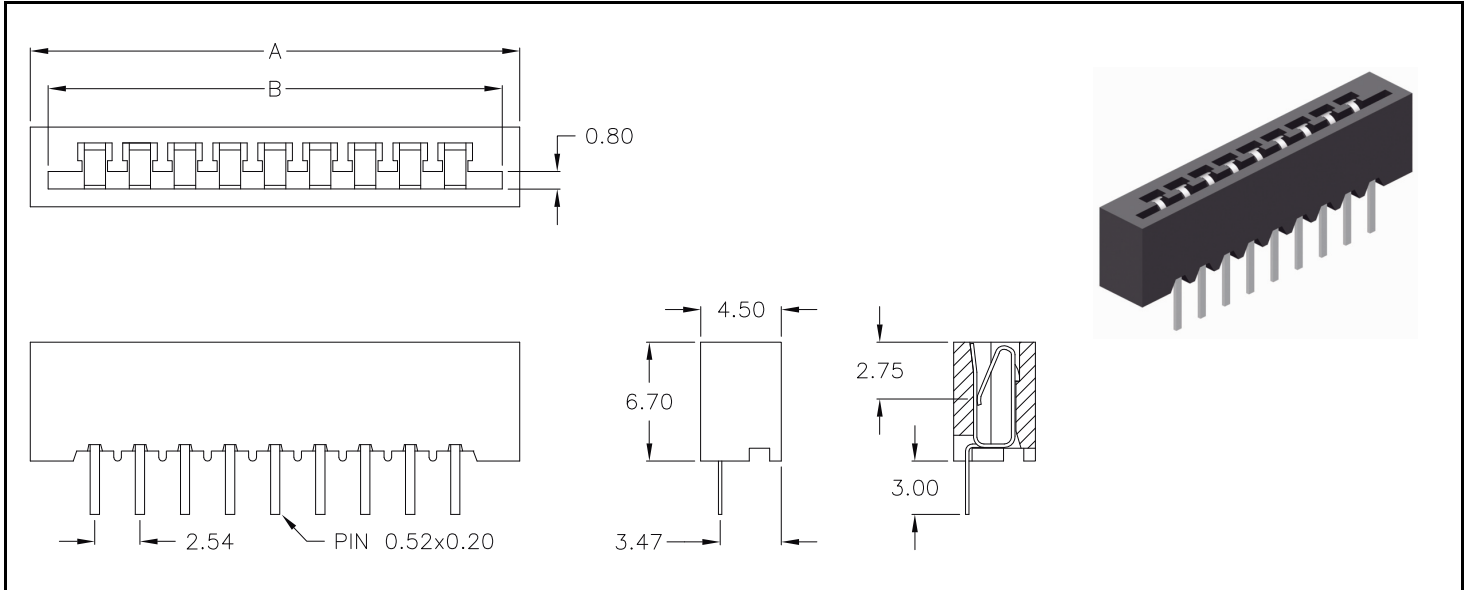


FPC/FFC Connector LIF Type

- THT - 2.54mm pitch vertical



SPECIFICATIONS

Current rating	1 A max.	Operating temperature	- 55°C to +85°C
Insulator resistance	1000 MΩ min.	Contact material	(RoHS compliant) Phosphor Bronze
Contact resistance	25 mΩ max.	Contact plating	Tin (leadfree)
Withstanding voltage	500 V AC	Insulator material	(RoHS compliant) P.B.T. UL 94 V-0

Dimensions (mm)

Contacts	DIM "A"	DIM "B"	Contacts	DIM "A"	DIM "B"	Contacts	DIM "A"	DIM "B"	Contacts	DIM "A"	DIM "B"
002	10.54	8.43	009	28.32	26.21	016	46.10	43.99	023	63.88	61.77
003	13.08	10.97	010	30.86	28.75	017	48.64	46.53	024	66.42	64.31
004	15.62	13.51	011	33.40	31.29	018	51.18	49.07	025	68.96	66.85
005	18.16	16.05	012	35.94	33.83	019	53.72	51.60	026	71.50	69.39
006	20.70	18.59	013	38.48	36.37	020	56.26	54.15			
007	23.24	21.13	014	41.02	38.91	021	58.80	56.69			
008	25.78	23.67	015	43.56	41.45	022	61.34	59.23			

How to order

FPC - xxx - S254 - 99

