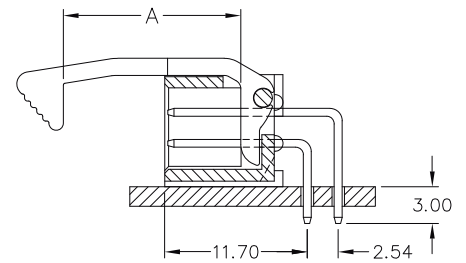
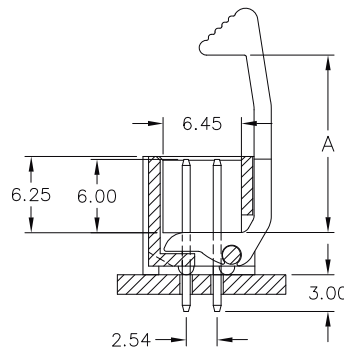
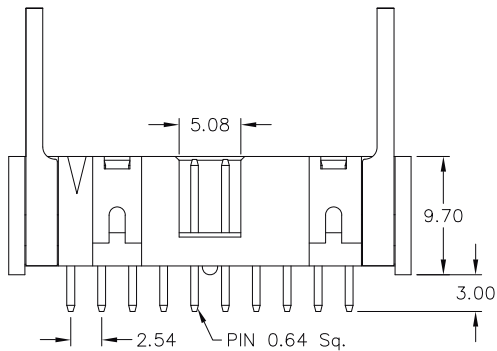
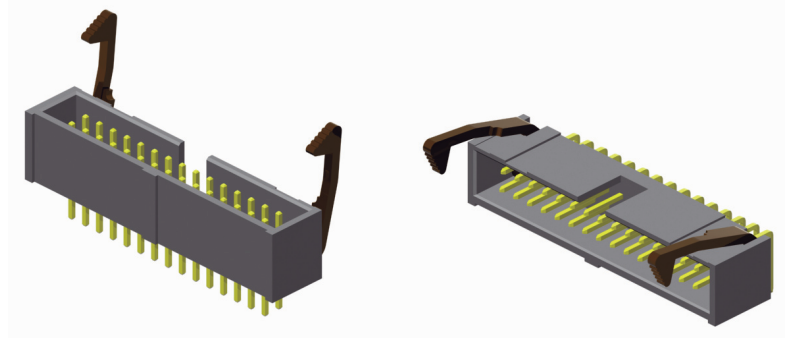
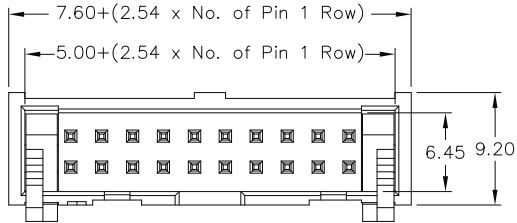


# 2.54mm pitch Box Header

## - THT - with ejection latches



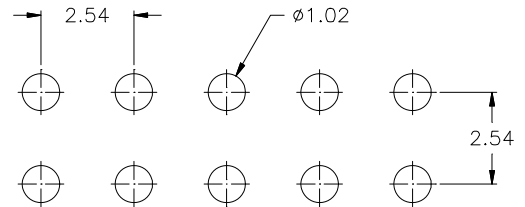
- S103

- R103

### APPLICATION AND FEATURES

- Mating devices for female headers IDC Type
- Reliable flat cable to PCB connection
- Ejection latches for easy handling

### PCB Hole Layout



### SPECIFICATIONS

Current rating	3 A
Insulator resistance	1000 MΩ min.
Withstanding voltage	500 V AC

Operating temperature	- 40°C to +105°C
Contact material	(RoHS compliant) Copper alloy
Insulator material	(RoHS compliant) P.B.T. UL 94 V-0
	<b>Standard:</b> black

### How to order

SLS - xxx - X 103 - 55 / X

Nbr of pins
010; 014; 016
020; 024; 026
030; 034; 040
050; 060; 064

Style
<b>S</b> = straight
<b>R</b> = right angle

Plating
<b>55</b> = gold
Other platings on request

Latch style
<b>S</b> = short latch DIM "A" = 10.65 mm
<b>L</b> = long latch DIM "A" = 14.55 mm