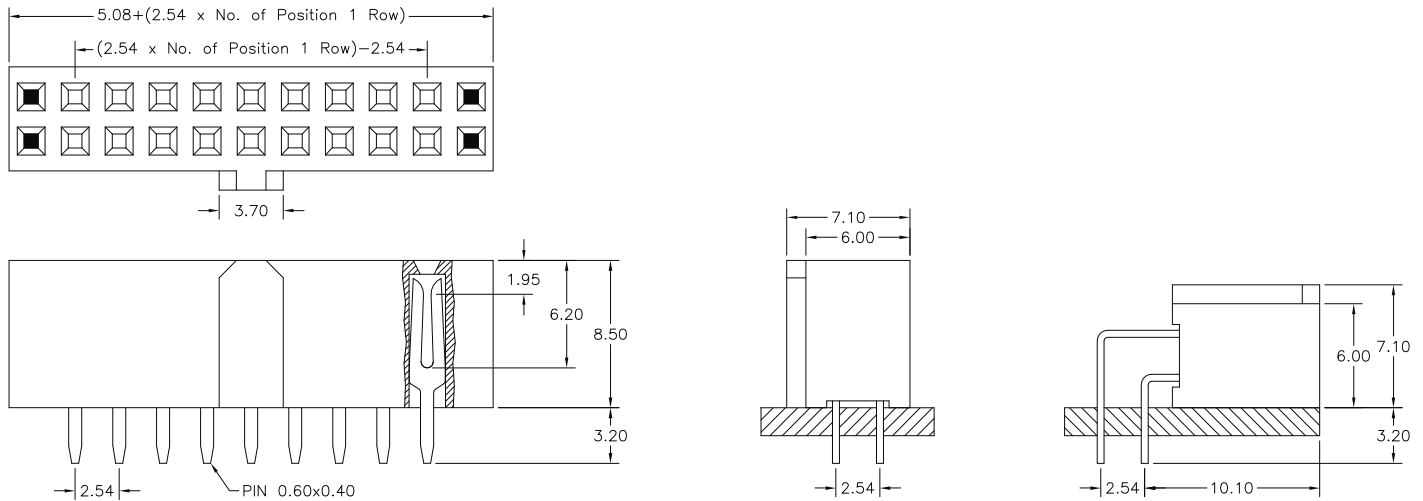


2.54mm pitch Female Header
 - THT - for "Box Header" mating



APPLICATION AND FEATURES

Mating with box (shrouded) header 2.54mm pitch

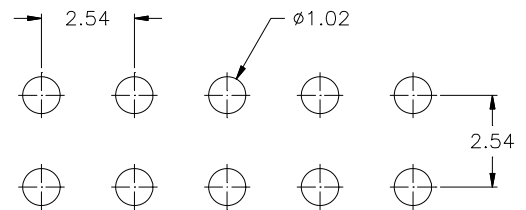
SLS-xxx-S920-xx, SLS-xxx-R920-xx, SLS-xxx-Dxxx-xx & SLS-xxx-H885-xx/X

Standard with polarization bump.

SPECIFICATIONS

Current rating	3 A
Insulator resistance	1000 MΩ min.
Contact resistance	20 mΩ max.
Withstanding voltage	500 V AC
Operating temperature	- 40°C to + 105°C
Contact material	Phosphor Bronze
Insulator Material	P.B.T. UL 94 V-0

PCB Hole layout



How to order

BW 2 - xxx - X 850 - 55 / P

Nbr of contacts	Connector style	Plating
006; 008; 010; 014 016; 020; 024; 026 030; 034; 040; 044 048; 050; 060; 064	S = straight R = right angle	55 = gold Other platings on request