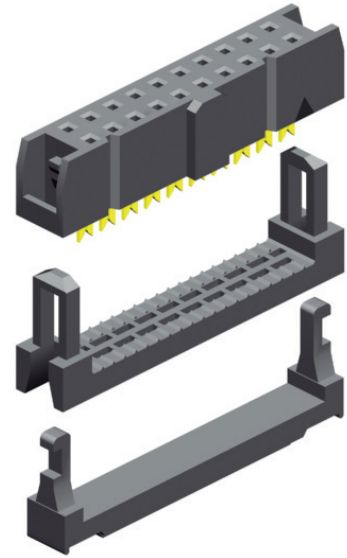
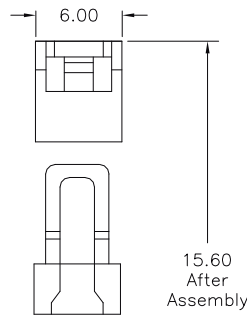
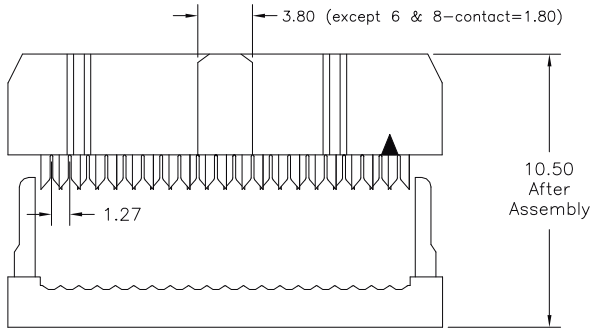
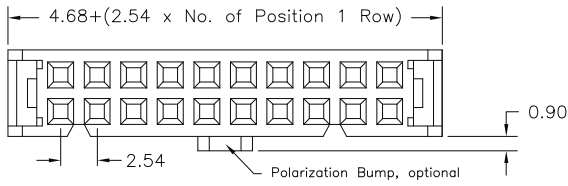


2.54mm pitch

IDC – Female Connector



SPECIFICATIONS

Current rating	1 A	Operating temperature	- 40°C to +105°C
Insulator resistance	1000 MΩ min.	Contact material (RoHS compliant)	Brass
Contact resistance	30 mΩ max.	Plating	Nickel; Gold on mating area
Withstanding voltage	500 V AC	Insulator material (RoHS compliant)	P.B.T. black UL 94 V-0 (grey colour on request)

APPLICATION AND FEATURES

Designed to mate with 0.64mm square pins box (shrouded) header

High Quality contacts

Accepts 1.27mm pitch flat ribbon cable AWG 28 (0.20mm) or AWG 30 (0.17mm).

How to order

IDS - xxx - X 100 - N5 (/ P)

Nbr of contacts
006; 008; 010; 012
014; 016; 018; 020
024; 026; 030; 034
036; 040; 050; 060
064

Strain relief
S = With
W = Without

Option
P
if Polarization bump is requested