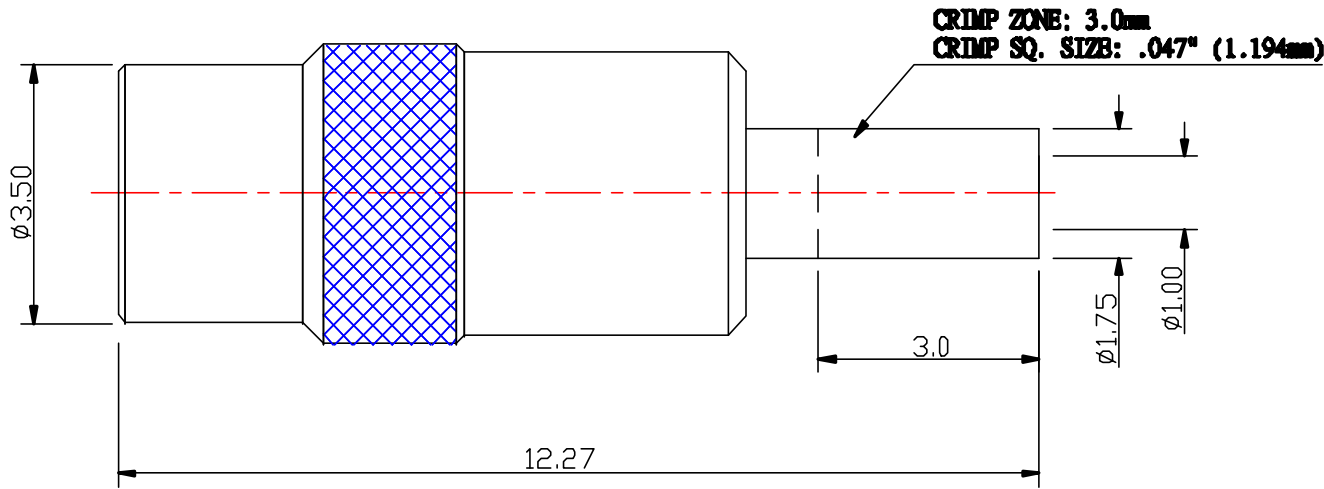
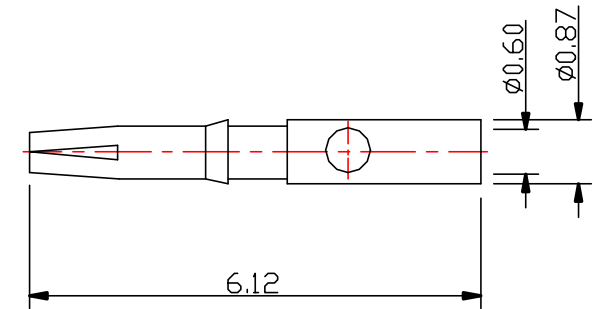


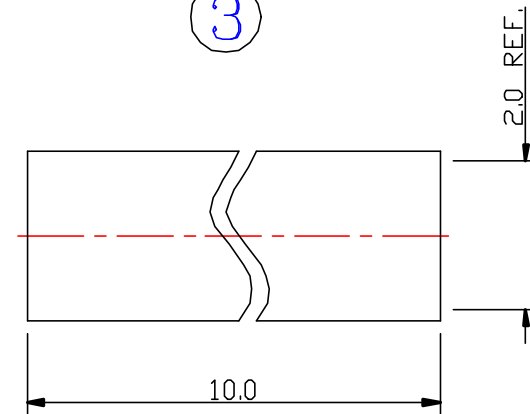
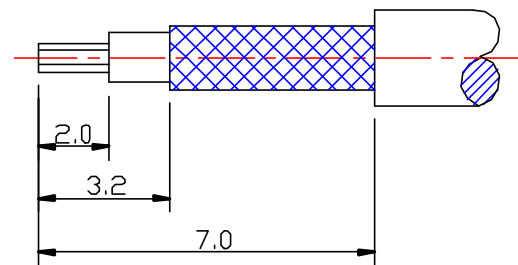
1



2



3




Recommended Cable Stripping Dim's

**ELECTRICAL PERFORMANCE:**

1. Impedance : 50 ohms
2. Frequency Range : 0~6 GHz
3. Working Voltage : 170 Vrms maximum
4. Dielectric Withstanding Voltage : 500 Vrms minimum
5. Insulator Resistance : 500 Megohms minimum

3	HEAT SHRINK TUBE	P.E	NONE	22M000-001
2	CONTACT	BE.COPPER	GOLD 30u"	04M018-205
1	BODY (2)	BRASS	GOLD	M700-800A1
	INSULATOR	TEFLON	NONE	
	BODY (1)	BRASS	GOLD	
ITEM	DESCRIPTION	MATERIALS	FINISHED	PART NUMBER

					REMARKS:	TITLE: MMCX STRAIGHT JACK CRIMP TYPE, FOR $\phi 1.13$ CABLE				 <b>INPUT OUTPUT</b>		
					TOLERANCES: DIM. XX=±0.3 UNIT: mm XX=±0.15	DESIGNED: LUKE 04/21/2003	DRAWN: LUKE 04/21/2003	CHECKED:	APPROVAL:		SHEET: 1 OF 1 SCALE: 10:1 DWG NO.: M700-800A	
REVISIONS									LAYER: ASY		REV. A	P/No.: S-M700-800A
A	NEW RELEASE	03-175	LUKE	04/21/2003								
REV.	DESCRIPTION	ECN	DRAWN	DATE								